



Profit from the Eagle Advantage®

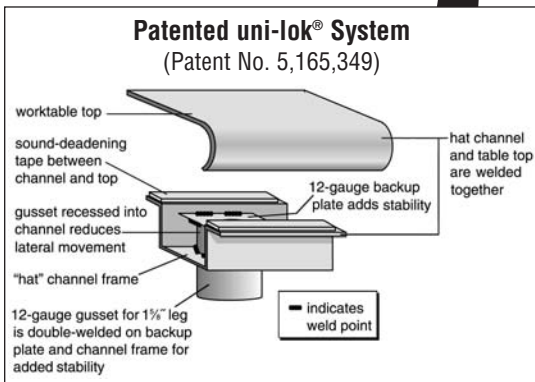
Specification Sheet

Short Form Specifications

Eagle worktables, Budget series model _____. Top to be constructed of heavy gauge, type 430 stainless steel with 1½" roll on front and rear, and sides turned down 90°. Undershelf to be adjustable and constructed of heavy gauge galvanized. Top reinforced with welded hat channels, and sound deadened. Constructed with uni-lok® patented gusset system with the gussets recessed into the hat channels to reduce lateral movement. Legs to be 1½" O.D. galvanized tubing with galvanized gussets, and 1" hi-impact plastic bullet feet.



worktable with flat top and undershelf



Item No.: _____
 Project No.: _____
 S.I.S. No.: _____

Worktables with Flat Top and Galvanized Base with Adjustable Undershelf—Budget Series

MODELS:

- | | | | |
|---------------------------------|----------------------------------|----------------------------------|----------------------------------|
| <input type="checkbox"/> T2424B | <input type="checkbox"/> T24108B | <input type="checkbox"/> T3072B | <input type="checkbox"/> T3660B |
| <input type="checkbox"/> T2430B | <input type="checkbox"/> T24120B | <input type="checkbox"/> T3084B | <input type="checkbox"/> T3672B |
| <input type="checkbox"/> T2436B | <input type="checkbox"/> T24132B | <input type="checkbox"/> T3096B | <input type="checkbox"/> T3684B |
| <input type="checkbox"/> T2448B | <input type="checkbox"/> T24144B | <input type="checkbox"/> T30108B | <input type="checkbox"/> T3696B |
| <input type="checkbox"/> T2460B | <input type="checkbox"/> T3030B | <input type="checkbox"/> T30120B | <input type="checkbox"/> T36108B |
| <input type="checkbox"/> T2472B | <input type="checkbox"/> T3036B | <input type="checkbox"/> T30132B | <input type="checkbox"/> T36120B |
| <input type="checkbox"/> T2484B | <input type="checkbox"/> T3048B | <input type="checkbox"/> T30144B | <input type="checkbox"/> T36132B |
| <input type="checkbox"/> T2496B | <input type="checkbox"/> T3060B | <input type="checkbox"/> T3648B | <input type="checkbox"/> T36144B |

Tabletop

- Patented uni-lok® gusset system (patent #5,165,349): gussets are recessed into hat channel, reducing lateral movement.
- Top reinforced with welded-on hat channel.
- Sound-deadened between top and channels.
- 1½" (38mm)-diameter 180° rolled edges on front and rear. Ends are turned down 90° providing for flush installations when required.
- Heavy gauge type 430 polished stainless steel.

Adjustable Undershelf

- Heavy gauge, galvanized.
- Gusset welded to each corner.

Legs—1½" (41mm)-diameter

- Tables 96" (2438mm) and longer come with six legs or more.
- Heavy gauge galvanized steel.
- 1" (25mm) adjustable hi-impact plastic feet.

Options / Accessories

- | | |
|--|--|
| <input type="checkbox"/> Drawer | <input type="checkbox"/> Duplex receptacles |
| <input type="checkbox"/> Lock | <input type="checkbox"/> Pot rack |
| <input type="checkbox"/> Casters | <input type="checkbox"/> Sink |
| <input type="checkbox"/> Stainless steel bullet feet | <input type="checkbox"/> Additional undershelf |
| <input type="checkbox"/> Overshelves | <input type="checkbox"/> Stabilizer Bar (for 30"- and 36"-wide tables) |

EAGLE GROUP

100 Industrial Boulevard, Clayton, DE 19938-8903 USA

Phone: 302-653-3000 • Fax: 302-653-2065

www.eaglegrp.com

Foodservice Division: Phone 800-441-8440

MHC/Retail Display Divisions: Phone 800-637-5100

For custom configuration or fabrication needs, contact our SpecFAB® Division.

Phone: 302-653-3000 • Fax: 302-653-3091 • e-mail: specfab@eaglegrp.com



Certifications / Approvals



EG10.40A Rev. 07/08

Spec sheets available for viewing, printing or downloading from our online literature library at www.eaglegrp.com

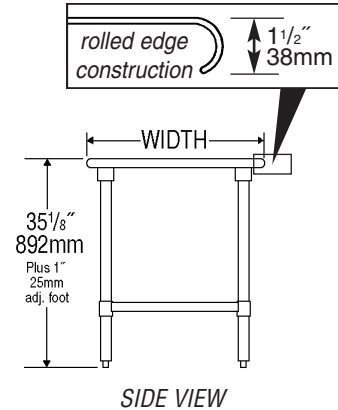
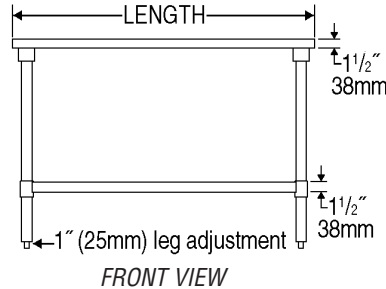
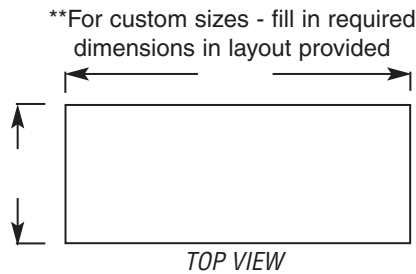
Eagle Foodservice Equipment, Eagle MHC, SpecFAB®, and Retail Display are divisions of Eagle Group. ©2008 by the Eagle Group

The Boelter Companies, Inc.



Item No.: _____
 Project No.: _____
 S.I.S. No.: _____

Worktables with Flat Top and Galvanized Base with Adjustable Undershef—Budget Series



| model # | # of legs | width | | length | | weight | |
|---------|-----------|-------|-----|--------|------|--------|------|
| | | in. | mm | in. | mm | lbs. | kg |
| T2424B | 4 | 24" | 610 | 24" | 610 | 40 | 18.1 |
| T2430B | 4 | 24" | 610 | 30" | 762 | 45 | 20.4 |
| T2436B | 4 | 24" | 610 | 36" | 914 | 50 | 22.7 |
| T2448B | 4 | 24" | 610 | 48" | 1219 | 60 | 27.2 |
| T2460B | 4 | 24" | 610 | 60" | 1524 | 70 | 31.8 |
| T2472B | 4 | 24" | 610 | 72" | 1829 | 80 | 36.3 |
| T2484B | 4 | 24" | 610 | 84" | 2134 | 90 | 40.8 |
| T2496B | 6 | 24" | 610 | 96" | 2438 | 100 | 45.4 |
| T24108B | 6 | 24" | 610 | 108" | 2743 | 110 | 49.9 |
| T24120B | 6 | 24" | 610 | 120" | 3048 | 120 | 54.4 |
| T24132B | 8 | 24" | 610 | 132" | 3353 | 130 | 59.0 |
| T24144B | 8 | 24" | 610 | 144" | 3658 | 140 | 63.5 |
| T3030B | 4 | 30" | 762 | 30" | 762 | 46 | 20.9 |
| T3036B | 4 | 30" | 762 | 36" | 914 | 52 | 23.6 |
| T3048B | 4 | 30" | 762 | 48" | 1219 | 64 | 29.0 |
| T3060B | 4 | 30" | 762 | 60" | 1524 | 76 | 34.5 |
| T3072B | 4 | 30" | 762 | 72" | 1829 | 84 | 38.1 |
| T3084B | 4 | 30" | 762 | 84" | 2134 | 96 | 43.6 |
| T3096B | 6 | 30" | 762 | 96" | 2438 | 108 | 49.0 |
| T30108B | 6 | 30" | 762 | 108" | 2743 | 120 | 54.4 |
| T30120B | 6 | 30" | 762 | 120" | 3048 | 132 | 59.9 |
| T30132B | 8 | 30" | 762 | 132" | 3353 | 144 | 65.3 |
| T30144B | 8 | 30" | 762 | 144" | 3658 | 156 | 70.8 |
| T3648B | 4 | 36" | 914 | 48" | 1219 | 70 | 31.8 |
| T3660B | 4 | 36" | 914 | 60" | 1524 | 82 | 37.2 |
| T3672B | 4 | 36" | 914 | 72" | 1829 | 96 | 43.6 |
| T3684B | 4 | 36" | 914 | 84" | 2134 | 108 | 49.0 |
| T3696B | 6 | 36" | 914 | 96" | 2438 | 120 | 54.4 |
| T36108B | 6 | 36" | 914 | 108" | 2743 | 132 | 59.9 |
| T36120B | 6 | 36" | 914 | 120" | 3048 | 144 | 65.3 |
| T36132B | 8 | 36" | 914 | 132" | 3353 | 156 | 70.8 |
| T36144B | 8 | 36" | 914 | 144" | 3658 | 168 | 76.2 |

EAGLE GROUP
 100 Industrial Boulevard, Clayton, DE 19938-8903 USA
 Phone: 302-653-3000 • Fax: 302-653-2065
 www.eaglegrp.com

Foodservice Division: Phone 800-441-8440
 MHC/Retail Display Divisions: Phone 800-637-5100

Printed in U.S.A.
 ©2008 by Eagle Group
 Rev. 07/08

Spec sheets available for viewing, printing or downloading from our online literature library at www.eaglegrp.com

Although every attempt has been made to ensure the accuracy of the information provided, we cannot be held responsible for typographical or printing errors. Information and specifications are subject to change without notice. Please confirm at time of order.