



T&S BRASS AND BRONZE WORKS, INC.

2 Saddleback Cove / P.O. Box 1088
Travelers Rest, SC 29690

Model No.

B-1146

Item No.

Travelers Rest, SC: 800-476-4103 • Simi Valley, CA: 800-423-0150 • Fax: 864-834-3518 • www.tsbrass.com

This Space for Architect/Engineer Approval

Job Name _____ Date _____

Model Specified _____ Quantity _____

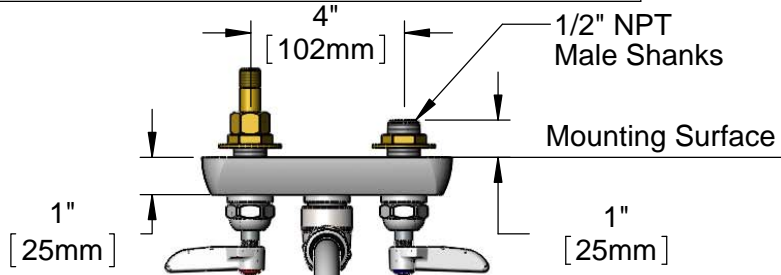
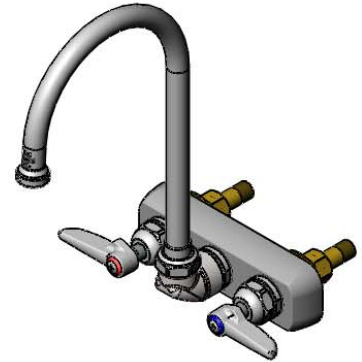
Customer/Wholesaler _____

Contractor _____

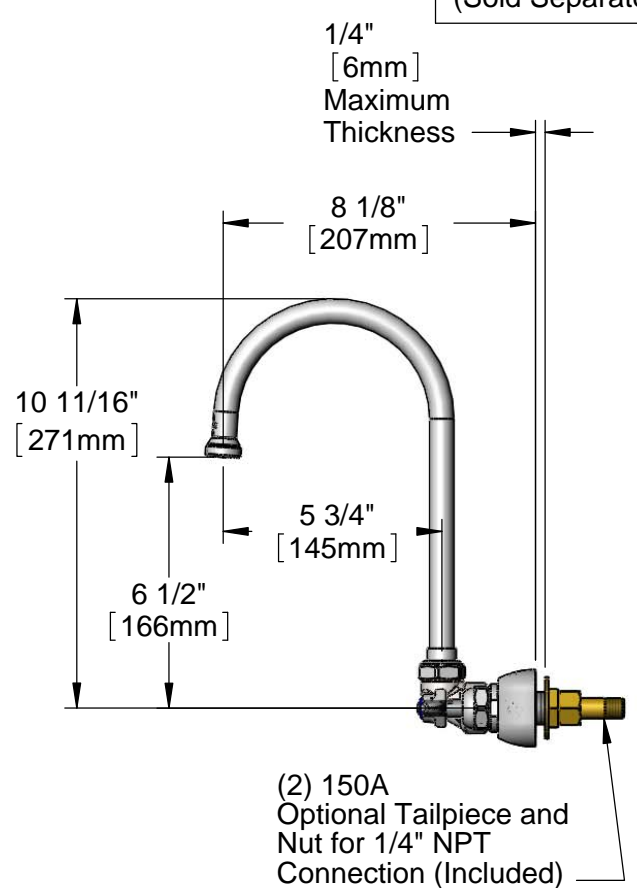
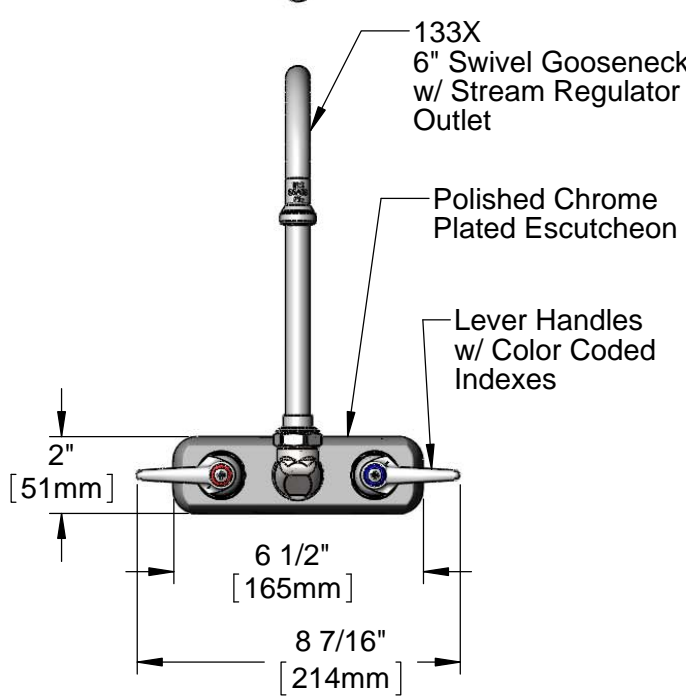
Architect/Engineer _____



ADA Compliant



B-1100-K
Elbow Kit w/
(2) 1/2" NPT Male
90° Elbows
(Sold Separately)



Rough-In Requirement:
(2) \varnothing 1" [25mm] Mounting Holes

Product Specifications:
4" Wall Mount Workboard Faucet w/ Lever Handles,
6" Swivel Gooseneck, Stream Regulator Outlet &
1/2" NPT Male Shanks

Drawn KJG	Checked JRM	Approved JHB
Scale: 1:5		Date: 070/20/12



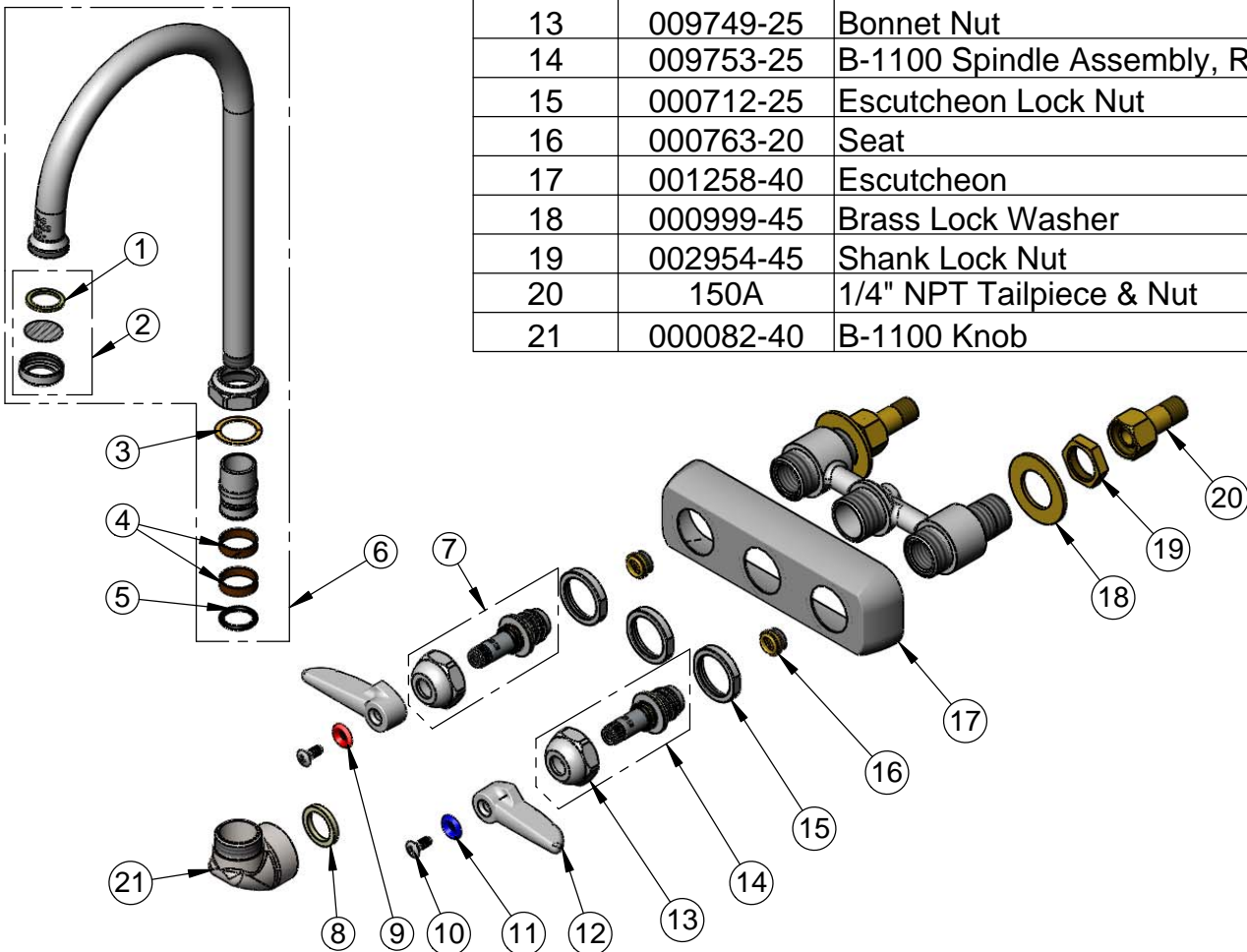
T&S BRASS AND BRONZE WORKS, INC.
 2 Saddleback Cove / P.O. Box 1088
 Travelers Rest, SC 29690

Model No.
B-1146

Item No.

Travelers Rest, SC: 800-476-4103 • Simi Valley, CA: 800-423-0150 • Fax: 864-834-3518 • www.tsbrass.com

ITEM NO.	SALES NO.	DESCRIPTION
1	001048-45	Nozzle Tip Washer
2	B-PT	Stream Regulator
3	009538-45	Swivel Washer
4	011429-45	Swivel Sleeves (2)
5	001074-45	O-Ring
6	133X	6" Swivel Gooseneck w/ B-PT Stream Regulator Outlet
7	009754-25	B-1100 Spindle Assembly, LTC
8	001017-45	Washer
9	001661-45	Red Index-HW
10	000922-45	Lever Handle Screw
11	001660-45	Blue Index-CW
12	001638-45	Lever Handle
13	009749-25	Bonnet Nut
14	009753-25	B-1100 Spindle Assembly, RTC
15	000712-25	Escutcheon Lock Nut
16	000763-20	Seat
17	001258-40	Escutcheon
18	000999-45	Brass Lock Washer
19	002954-45	Shank Lock Nut
20	150A	1/4" NPT Tailpiece & Nut
21	000082-40	B-1100 Knob



Product Specifications:
 4" Wall Mount Workboard Faucet w/ Lever Handles,
 6" Swivel Gooseneck, Stream Regulator Outlet &
 1/2" NPT Male Shanks

Drawn KJG	Checked JRM	Approved JHB
Scale: NTS		Date: 070/20/12