

# PUMPS: STAINLESS STEEL FOOD CONTAINER DISPENSERS

Models BP-1, BP-1/2, BP-1/4

## WHAT DO YOU DISPENSE?

- THIN • fountain syrups • liqueur • hot or soy sauce
- THICK • ketchup • mustard • mayo • bbq sauce
- PARTICULATES • tartar sauce • Thousand Island



BP-1 88000



BP-1 88010



BP-1 CROCK 88020



BP-1/4 88180

## BID DESCRIPTION

Server Products BP style pumps dispense directly from popular food containers. A smart alternative to disposable pumps — BP pumps combine a stylish and durable stainless steel head assembly with a plastic cylinder. BP pumps are certified for clean-in-place or can be fully disassembled for cleaning.

Dispense directly from a 38 mm jar opening with BP-1 88000. Jar can be as short as 7" (17.8 cm).

For a Heinz® Pour Store & Pump Jug use BP-1 88010. Its black plastic lid threads onto the jug.

Dispensing from a salad crock can be done with BP-1 CROCK 88020. Its clear plastic lid fits a standard 2.7 quart (2.6 L) salad crock.

BP-1 models have a maximum portion of 1 ounce (30 mL) per stroke and can be reduced in 1/8 ounce (3.7 mL) increments with supplied gauging collars.

BP style fractional pumps (1/4 & 1/2) dispense from standard syrup bottles such as Monin and Torani with a 28 mm bottle opening. BP-1/4 and 1/2 have a 1/4 oz (7 mL) or 1/2 oz (14 mL) stroke respectively.

## STANDARD FEATURES

- Stainless steel pump with plastic cylinder has few parts
- BP-1 has a 1 oz (30 mL) stroke with portion control
- Black knob can be engraved to identify contents (available upon request, contact our customer service department)
- Pump breaks down completely for cleaning or can be cleaned in place
- NSF Listed

## TWO YEAR WARRANTY

Server Products equipment is backed by a two-year limited warranty against defects in materials and workmanship. For a copy of our complete warranty statement, please refer to [server-products.com](http://server-products.com).

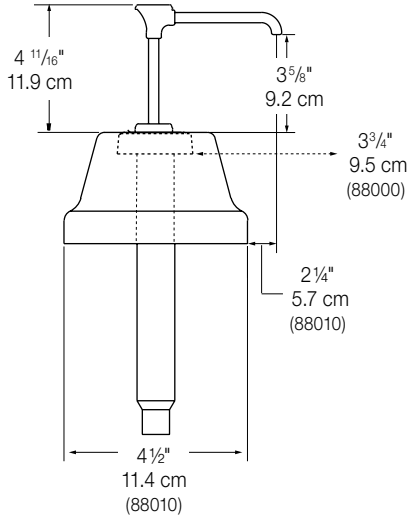


**2 YEAR**  
WARRANTY

# PUMPS: STAINLESS STEEL FOOD CONTAINER DISPENSERS

Models BP-1, BP-1/2, BP-1/4

## BP-1 88000 & 88010



MODELS ☂	BP-1 88000	BP-1 88010	BP-1 88020
Height (above jar)	4 11/16" 11.9 cm	4 11/16" 11.9 cm	5 3/4" 14.6 cm
Lid Dia.	— 38 mm	4 1/2" 11.4 cm	6 7/8" 17.5 cm
Dim. A	3 3/4 " 9.5 cm	2 1/4 " 5.7 cm	1 1/16 " 2.7 cm
Capacity	Varies	1 gal / 3.8 L	2.7 qt / 2.6 L
Weight	2 lb (.9 kg)		

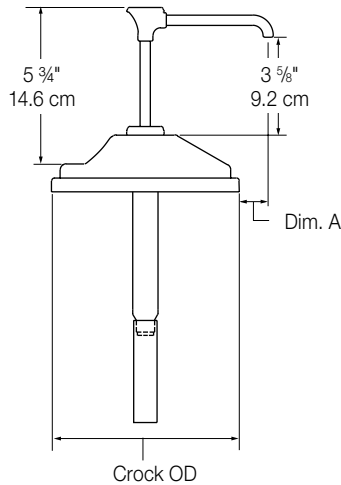
MODELS ☂	BP-1/2 88190	BP-1/4 88180
Height (above jar)	5 3/8 " 13.6 cm	3 1/2 " 8.9 cm
Dim. A	2 7/16 " 6.2 cm	2 7/16 " 6.2 cm
Capacity	varies	
Weight	2 lb (.9 kg)	

FOB RICHFIELD, WISCONSIN 53076

## CAD LIBRARY

Individual CAD images can be downloaded free of charge from our website. Our complete collection of CAD files, along with more than 100 other manufacturers, can be purchased through Kochman Consultants, Ltd. at [kclcad.com](http://kclcad.com).

## BP-1 88020



## BP-1/2 88190

## BP-1/4 88180

