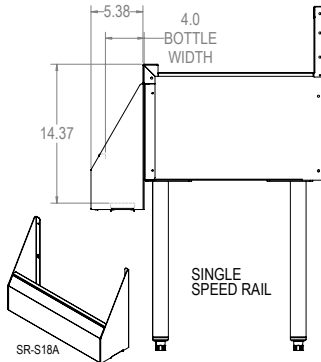




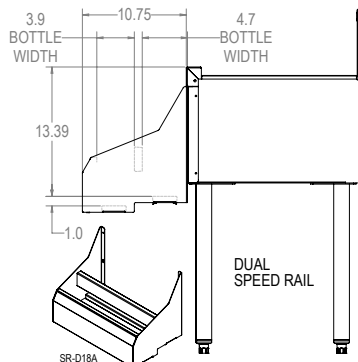
**SINGLE, DUAL AND HANG ON SPEED RAILS.
SINGLE AND DUAL ACCESSORY LOCKING COVERS.**

SPEED RAILS

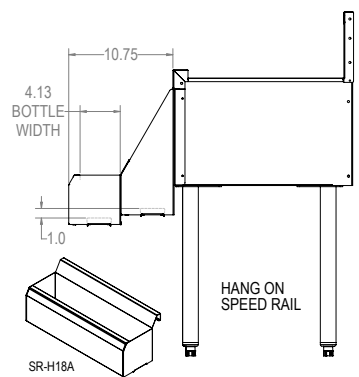
SINGLE



DUAL



HANG ON



SPEED RAILS			
Length Inches (mm)	Single Speed Rail Part No.	Double Speed Rail Part No.	Hang On Speed Rail Part No.
12" (305)	SR-S12A	SR-D12A	SR-H12A
13" (330)	SR-S13A	SR-D13A	SR-H13A
14" (356)	SR-S14A	SR-D14A	SR-H14A
15" (381)	SR-S15A	SR-D15A	SR-H15A
16" (406)	SR-S16A	SR-D16A	SR-H16A
17" (432)	SR-S17A	SR-D17A	SR-H17A
18" (457)	SR-S18A	SR-D18A	SR-H18A
19" (483)	SR-S19A	SR-D19A	SR-H19A
20" (508)	SR-S20A	SR-D20A	SR-H20A
21" (533)	SR-S21A	SR-D21A	SR-H21A
22" (559)	SR-S22A	SR-D22A	SR-H22A
23" (584)	SR-S23A	SR-D23A	SR-H23A
24" (610)	SR-S24A	SR-D24A	SR-H24A
28" (711)	SR-S28A	SR-D28A	SR-H28A
30" (762)	SR-S30A	SR-D30A	SR-H30A
34" (864)	SR-S34A	SR-D34A	SR-H34A
36" (914)	SR-S36A	SR-D36A	SR-H36A
42" (1067)	SR-S42A	SR-D42A	
48" (1219)	SR-S48A	SR-D48A	
54" (1372)	SR-S54A		
60" (1372)	SR-S60A		
66" (1676)	SR-S66A		
72" (1829)	SR-S72A		
78" (1981)	SR-S78A		
84" (2134)	SR-S84A		
90" (2286)	SR-S90A		
96" (2438)	SR-S96A		

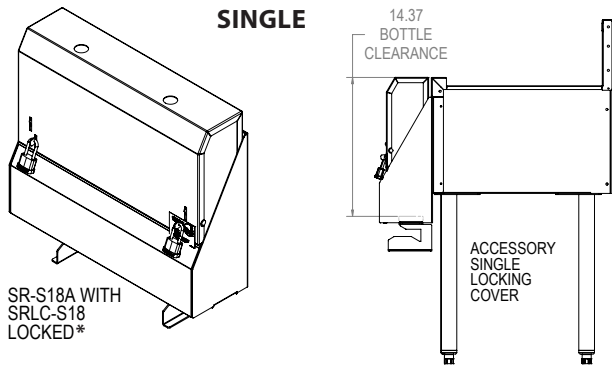
- 5-1/8" front panel to improve bottle retention. Prevents bottles from tipping forward.
- Lower bottle height provides improved clearance to ice bin.
- Plastic extrusion on bottom support provides sound deadening.
- Plastic clear extrusion on front top edge of rail provides sound deadening and protection for bottle location labels.
- Accessory Locking Covers available separately.
- For field installed add R suffix.



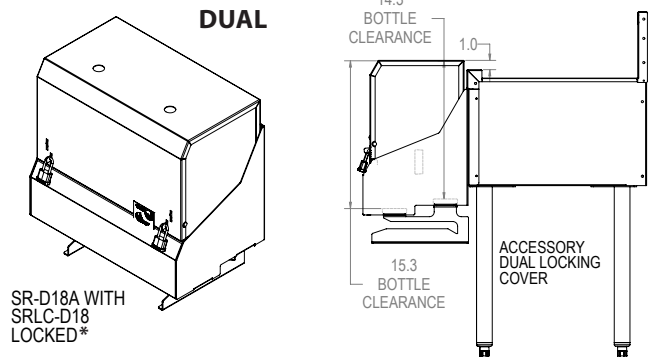


**SINGLE, DUAL AND HANG ON SPEED RAILS.
SINGLE AND DUAL ACCESSORY LOCKING COVERS.**

ACCESSORY LOCKING COVERS (COVER ONLY)



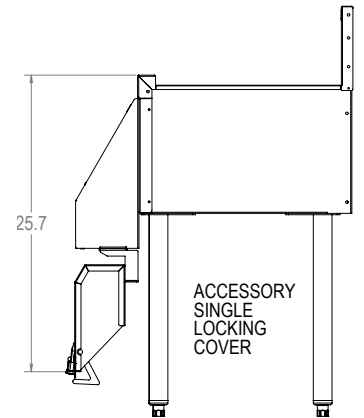
SR-S18A WITH SRLC-S18 LOCKED*



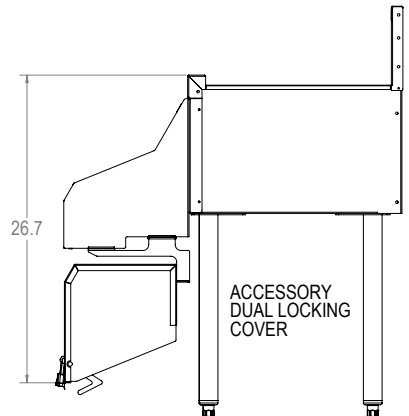
SR-D18A WITH SRLC-D18 LOCKED*

(Cover Only)		
Length Inches (mm)	Single Locking Cover Part No.	Dual Locking Cover Part No.
12" (305)	SRLC-S12	SRLC-D12
13" (330)	SRLC-S13	SRLC-D13
14" (356)	SRLC-S14	SRLC-D14
15" (381)	SRLC-S15	SRLC-D15
16" (406)	SRLC-S16	SRLC-D16
17" (432)	SRLC-S17	SRLC-D17
18" (457)	SRLC-S18	SRLC-D18
19" (483)	SRLC-S19	SRLC-D19
20" (508)	SRLC-S20	SRLC-D20
21" (533)	SRLC-S21	SRLC-D21
22" (559)	SRLC-S22	SRLC-D22
23" (584)	SRLC-S23	SRLC-D23
24" (610)	SRLC-S24	SRLC-D24
28" (711)	SRLC-S28	SRLC-D28
30" (762)	SRLC-S30	SRLC-D30
34" (864)	SRLC-S34	SRLC-D34
36" (914)	SRLC-S36	SRLC-D36
42" (1067)	SRLC-S42	SRLC-D42
48" (1219)	SRLC-S48	SRLC-D48
54" (1372)	SRLC-S54	
60" (1524)	SRLC-S60	
66" (1676)	SRLC-S66	
72" (1829)	SRLC-S72	
78" (1981)	SRLC-S78	
84" (2134)	SRLC-S84	
90" (2286)	SRLC-S90	
96" (2438)	SRLC-S96	

Single cover stored when not in use.



Dual cover stored when not in use.



- Heavy duty 18 ga. stainless steel construction for strength and security.
- Perlick-exclusive design includes convenient, built-in storage solution.
- For speed rails longer than 48", the locking covers consist of 2 sections for easy handling.
- Locking cover kits include cover, brackets, hardware and padlocks. *Speed rails sold separately.
- For field installed add R suffix.

