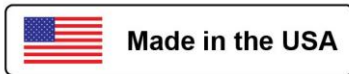




JOB:
ITEM:
QTY:



98716- MIXING BOWL DOLLY

APPLICATION:

This dolly is designed to hold an 80-quart mixing bowl. Designed at a working height to minimize uncomfortable working positions.

MATERIAL:

Framework is constructed out of 1"x1"x.070" wall tubing. The ring is constructed out of 1/4"x3" strap.

CASTERS:

This dolly comes equipped with four 5" stem type swivel casters.

GUARANTEE:

This dolly carries a **Lifetime Guarantee** against rust and corrosion and also carries a **Five-Year Guarantee** against workmanship and material defects.

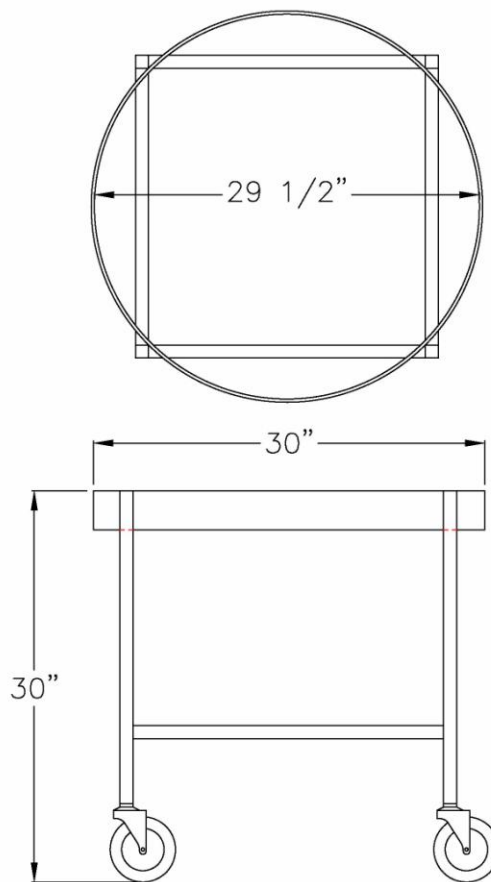


Model #98716



Phone: 800-255-0104
Fax: 877-877-7687
www.newageindustrial.com
sales@newageindustrial.com

New Age Industrial reserves the right to modify or make changes at any time without notice to materials and specifications.



Model #98716

Model No.	Size-W	Size-H	Size-D	Ring Dia.
98716	30"	30"	30"	29 1/2" I.D.



Phone: 800-255-0104
 Fax: 877-877-7687
www.newageindustrial.com
sales@newageindustrial.com

New Age Industrial reserves the right to modify or make changes at any time without notice to materials and specifications.