



JOB:  
ITEM:  
QTY:



## DOUGH DOLLIES

### APPLICATION:

These dollies are specifically designed for dough trays and boxes. When these dollies are not in use that stack for easy storage.

### MATERIAL:

Framework is constructed out of 1 1/2" x 1 1/2" x 3/16" wall angle. Caster bracket is constructed out of .063" sheet.

### CASTERS:

Model #1195 comes equipped with four 3" platform type swivel casters. Model #1196 comes equipped with four 5" platform type swivel casters.

### GUARANTEE:

These dollies carry a **Lifetime Guarantee** against rust and corrosion and also carry a **Five-Year Guarantee** against workmanship and material defects.

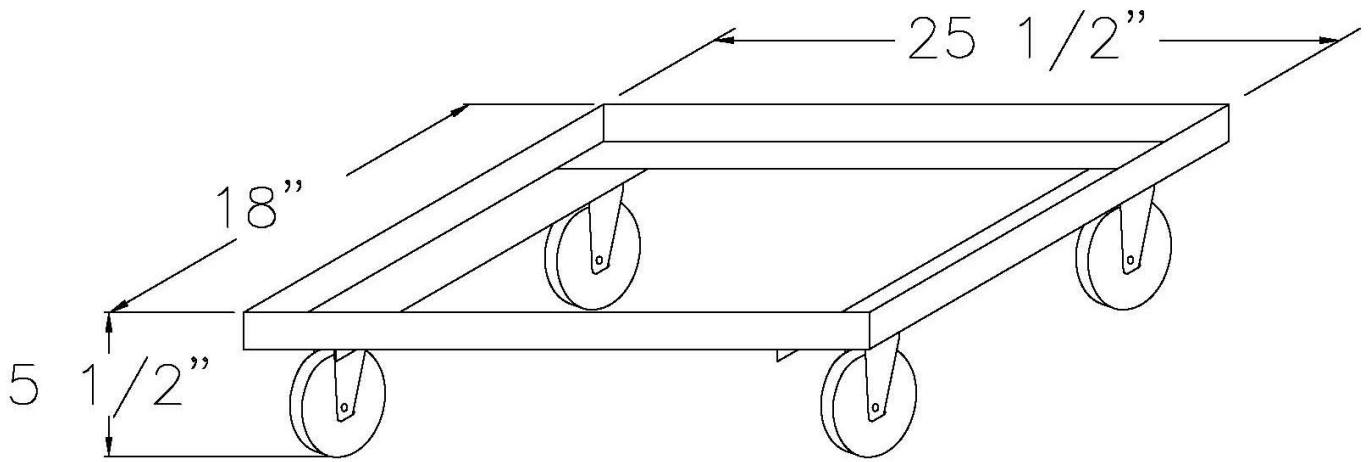


Model #1195



Phone: 800-255-0104  
Fax: 877-877-7687  
[www.newageindustrial.com](http://www.newageindustrial.com)  
[sales@newageindustrial.com](mailto:sales@newageindustrial.com)

New Age Industrial reserves the right to modify or make changes at any time without notice to materials and specifications.



**Model #1195**

Model No.	Size-W	Size-H	Size-D	Wheel Size
1195	18"	5 1/2"	25 1/2"	3"
1196	18"	8"	25 1/2"	5"



Phone: 800-255-0104  
 Fax: 877-877-7687  
[www.newageindustrial.com](http://www.newageindustrial.com)  
[sales@newageindustrial.com](mailto:sales@newageindustrial.com)

New Age Industrial reserves the right to modify or make changes at any time without notice to materials and specifications.