



GW24  
 Shown with sliding door closed



**Intertek**

4004503



**Intertek**

Conforms to NSF/ANSI STD 3 and UL STD 921  
 Certified to CSA STD C22.2 No. 168

Project: _____	AIA# _____
Item #: _____ Qty: _____	SIS# _____
Model #: _____	

## GW24 Rotary Glasswasher

24" wide by 24" deep Rotary Glasswasher

### Standard Features

- Fill and dump style cycle uses less water and energy than traditional rotary glasswashers.
- Unit plugs into standard 120V electrical outlet for an easy installation.
- Computer controlled fill cycle allows for 75°F (24°C) rinse, providing clean glasses that are cool to the touch.
- The sliding cover and cold water rinse prevent steam from escaping during and after the cycle.
- Unique drainboard top provides integrated glassware landing area.
- Exclusive design with side notch provides space for three one-gallon chemical containers within the 24" by 24" foot print.
- Conveyor advance switch rotates conveyor one-half turn for easy loading and unloading of glassware.
- Covers and drainboard top are easily removable for cleaning access.
- Pre-programmed de-liming cycle for easy removal of mineral deposits during maintenance (de-liming agent must be added).
- Conveyor and stationary spray box are easily removed for cleaning and visual inspection.
- Automatic peristaltic metering pumps accurately dispense detergent, sanitizer, and rinse aid.

### Specifications

#### General Plumbing [Hot water and cold water required]

- Plumb with 1/2" water supply. Adapt to 3/8" FMPT.
- Minimum water pressure is 25 PSI
- Maximum water pressure is 100 PSI. Install water pressure regulator if line pressure is over 100 PSI. Water valve on unit has built-in strainer and flow control to provide consistent volume between 25 and 100 PSI
- Install separate water shut-off valve
- Unit has built-in air gap - vacuum breaker is not required
- Consumption is 3 gallons per cycle

#### Hot Water Supply

- Maximum temperature is 150°F (66°C)
- Minimum temperature is 130°F (54°C)

#### Cold Water Supply

- No minimum temperature requirement

#### Drain

- 1-1/2" tailpiece.
- Use open type floor drain for maximum drainage

#### Electrical

- 120V, single phase, 60Hz, 6-foot NEMA 5-15P grounded cord included
- Dedicated 15 amp circuit recommended
- Power requirements - 3.5 amps



5-15P

#### Detergent\*

- Extra heavy duty, non-foaming, commercial liquid dishwashing detergent is required - .30% concentration
- Consult local chemical supplier to match detergent with local water conditions

#### Sanitizer\*

- Liquid chlorine bleach (sodium hypochlorite - 5.25% solution) adjusted to 50 ppm

#### Rinse Aid\*

- Liquid Rinse Aid adjusted for proper sheeting

#### Operation / Capacity

- 120°F (49°C) minimum wash temp and rinse temp adjustable down to 75°F (24°C)
- 2 minute 15 second cycle
- 2-3/4" diameter bar glasses - 41 per cycle
- 2-1/2" diameter bar glasses - 49 per cycle
- Maximum glass height 10"

#### Materials

- 20 gauge stainless steel parts include: cabinet
- 18 gauge stainless steel parts include: floor and tanks
- 16 gauge stainless steel parts include: leg mounting brackets and legs
- 11 gauge stainless steel parts include: drive wheel

#### Service Access

- Front panel must remain accessible for service

\* Detergent, Sanitizer, and Rinse Aid containers are stored externally. The side cut-out in the machine provides space for three one-gallon chemical containers within the 24" by 24" foot print of the machine.

**Glastender, Inc.** • 5400 North Michigan Road • Saginaw, MI • 48604-9780  
 989.752.4275 • 800.748.0423 • Fax 989.752.4444  
[www.glastender.com](http://www.glastender.com)

Approval/Notes:

Specifications subject to change without notice. For current specifications please visit our website.

# GW24 Rotary Glasswasher

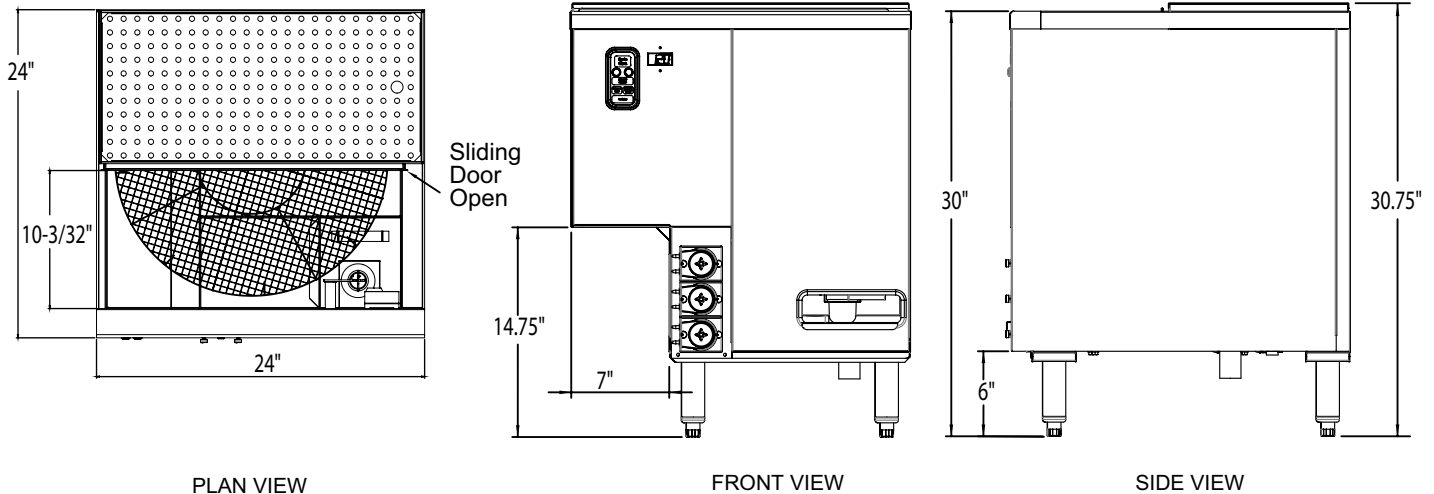
## Accessories



Slide-out chemical  
bottle rack - 01001500

<u>PART NO.</u>	<u>DESCRIPTION</u>
01001500	Slide-out chemical bottle rack
01001541	Export transformer 220V/50Hz electrical -NOTE: Eliminates side notch

## Dimensional Information



PLAN VIEW

FRONT VIEW

SIDE VIEW

## Mechanicals

Note: 1. In all cases, consult local plumbing, electrical and health codes for regulations which may not be consistent with the information on the front of this specification sheet

- The utility connections are made from the floor at the bottom of the unit approximately 7" to 8" high.
- The Glastender policy of constant quality improvement means specifications are subject to change without notice.

- ① = DRAIN
- ② = HOT WATER
- ③ = COLD WATER
- ④ = ELECTRICAL

