



**T&S BRASS AND BRONZE WORKS, INC.**  
 2 SADDLEBACK COVE / P.O. BOX 1088 / TRAVELERS REST, SC 29690  
 PHONE 800-476-4103 FAX 864-834-3518



Model No.

B-0310

Item No.:

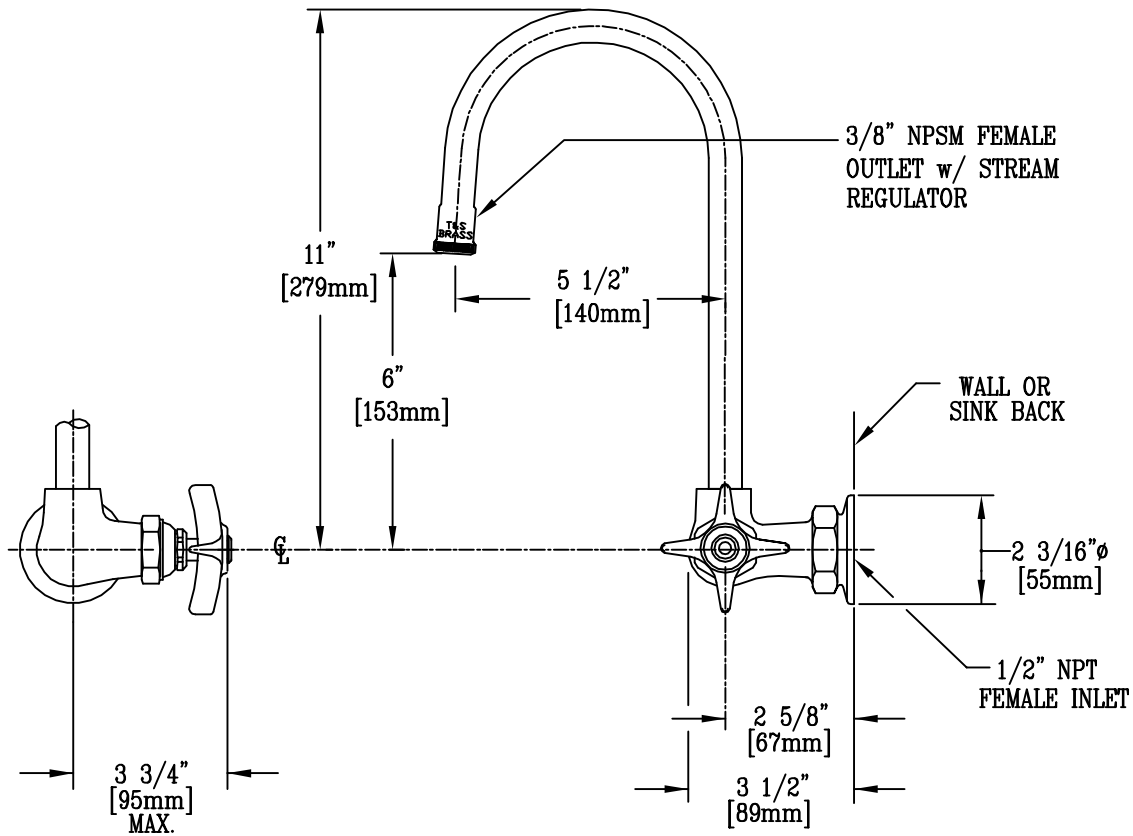
Job Name:

Architect/Engineer Approval:

Notes:



ADA COMPLIANT



**NOTES:**

1. SPECIFY COLD OR HOT INDEX FOR HANDLE. IF NOT SPECIFIED, COLD INDEX IS NORMALLY FURNISHED
2. AVAILABLE WITH B-199-1 NON-SPLASH AERATOR.

Product Description:  
 WALL MOUNT SINGLE FCT. w/ 120X  
 RIGID GOOSENECK, 4-ARM HANDLE,  
 & 1/2" NPT FEMALE INLET

Drawn:

WJS

Checked

MVW

Scale:

1:4

Approved

MVW

Date:

6-16-99