

NON-INSULATED HOT CABINET MODEL 130-1836D

FEATURES AND BENEFITS:

- Non-Insulated hot cabinet to keep prepared foods at serving temperatures.
- Powerful, yet efficient, heating system maintains the right temperature to properly hold products. 2000 Watt heater holds foods at up to 180°F (82°C).
- Body constructed of non-corrosive, Hi-Tensile aluminum with extruded frame fully welded for strength and ease of mobility.
- Perimeter door gasket minimizes heat loss.
- Reinforced, brushed aluminum door. Standard with right hand hinging; left hand hinging available upon request.
- Gravity type latch secures door during transport.
- Corrugated sidewalls securely hold 18" x 26" pans on 1-1/2" centers without tipping.
- Controls accessible without opening door; allows adjustments without interrupting process.
- Slanted control panel has easy-to-read thermometer; entire assembly removable for cleaning and maintenance.
- Heavy duty 5" swivel casters, two with brakes. Provides mobility when fully loaded.



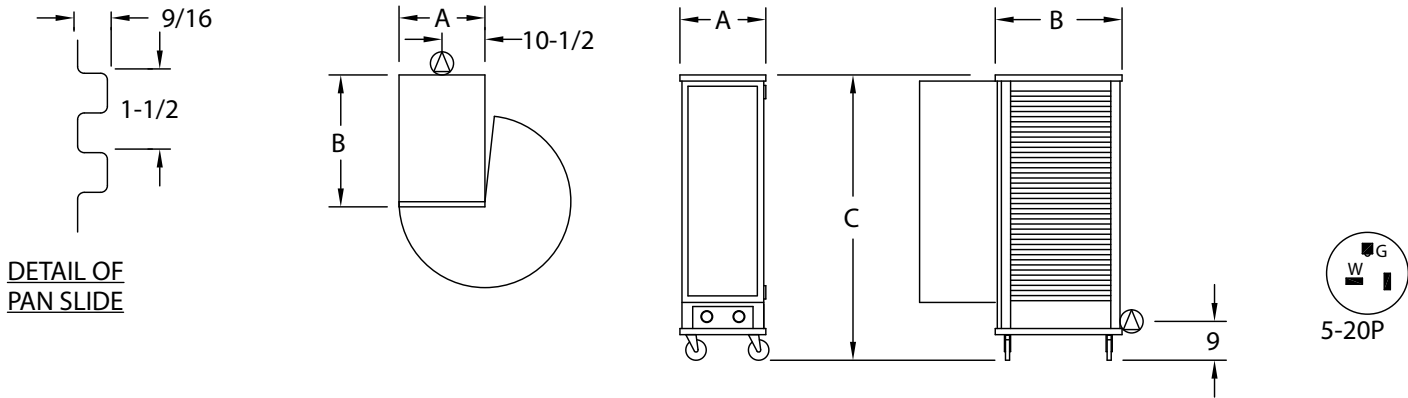
130-1836D



ACCESSORIES and OPTIONS (Available at extra cost):

- Dutch Doors
- Lexan Door
- Lock Hasp
- Corner Bumpers
- Perimeter Bumper
- Floor Lock (for use with 5" casters)
- Various Caster Options
- Digital Thermometer
- 208 or 240 Volt Service

See page B-20 for accessory details.



CRES COR MODEL NO.	PAN			DIM "A"	DIM "B"	DIM "C"	INSIDE DIMENSIONS				WEIGHT ACT.
	CAP	SIZE		WIDTH	DEPTH	HEIGHT	WIDTH	DEPTH	HEIGHT		
130-1836D	34	18 X 26	IN	20-7/8	29-3/16	69-3/4	18-1/16	26-1/4	53-1/2	LBS	148
		460 X 660	MM	530	745	1775	460	670	1360	KG	67

NOTES: 1. Send sample pan or tray with order when using any that are not 18" x 26" pans with heavy beaded edges.
 2. When ordering bumpers, add 2" to overall dimensions.

ALL ALUMINUM CONSTRUCTION IS RIVETED, WELDED AND FINISHED.

CABINET:

- Top: One piece .100 aluminum.
- Posts: Extruded channels, 1 x 2 x .125, welded to top and base, form a solid frame.
- Sides: .063 corrugations riveted to posts.
- Back: .063 panel fitted into posts, riveted to top and reinforced.
- Tie rod: Applied at front of cabinet.
- Air tunnel: .063 aluminum; lift-out type, mounted on back panel.

BASE:

- One piece construction, .190 aluminum.
- Casters: 5" dia., swivel, modulus tires, 1-1/4 wide, load cap. 250 lbs. each, temp. range -45°/+180°F. Delrin bearings. Front casters equipped with brakes.

DOOR:

- Panel: .063 brushed aluminum, fitted into door frame extrusions, 13/16 x 1-11/16 x .154; Black powder coated.
- Latch: Gravity type, nickel plated steel.
- Hinges (2): 11 ga (.120) stainless steel; swings 270°.
- Gasket: Perimeter type, Santoprene rubber.

PAN SLIDES:

- Corrugations act as pan slides on 1-1/2" centers.

HOT UNIT COMPONENTS:

- Removable bottom mount hot unit.
- Body: Formed .063 aluminum with black control panel.
- Thermostat: Mechanical, room ambient to 180°F (82°C).
- Switch: ON-OFF rocker type.
- Power light.
- Power cord: Permanent, 6 ft., 12/3 ga. with molded plug.
- Heater: 1920 Watts.
- Blower motor.
- Thermometer.

POWER REQUIREMENTS:

- 1920 Watts, 120 Volts, 60 Hz., single phase, 16 Amps., 20 Amp. service.

SHORT FORM SPECIFICATIONS

Cres Cor Hot Cabinet Model 130-1836D. Formed and welded .100 aluminum top, .190 aluminum base. No-tip .063 corrugated aluminum sides for (34) 18" x 26" pans on 1-1/2" centers. Brushed .063 aluminum door. Removable 1920 Watt, 120 Volt power unit. Controls accessible without opening door. 5" swivel modulus casters, Delrin bearings. Load capacity 250 lbs. each. 1-Year Parts / 90-Day Labor warranty. Provide the following accessories: _____ CSA-US, CSA-C, CSA to NSF4 listed.



5925 Heisley Road • Mentor, OH 44060-1833
 Phone: 877/CRESCOR • Fax: 440/350-7267
 www.crescor.com

© Crescent Metal Products, Inc. 2011 All rights reserved.

In line with its policy to continually improve its products, CRES COR reserves the right to change materials and specifications without notice.

Litho in U.S.A.